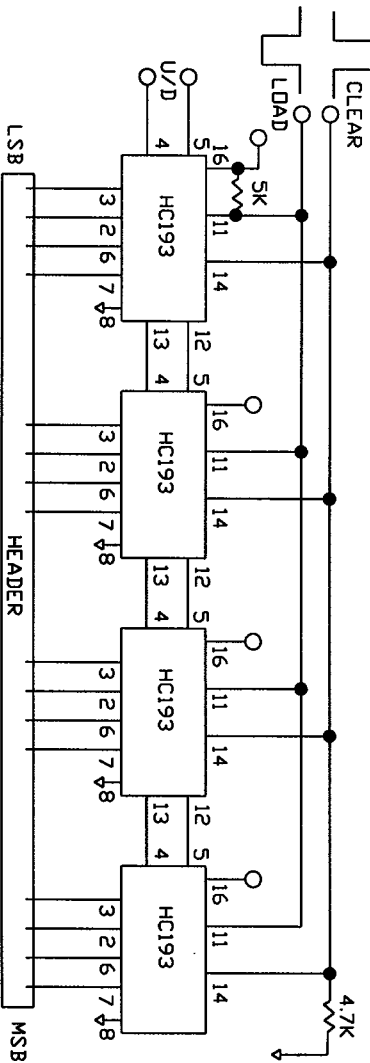
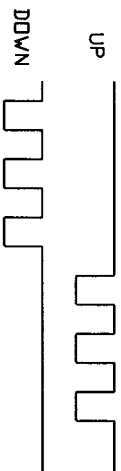


OPTIONAL: LM7805 for local +5V regulation



Note: Must tie pins 1, 9, 10, 15 of HC193 to HIGH or LOW to set RELOAD data.

- Parts List:
 HC04 Hex Inv.
 HC14 Hex Schmidt
 HC86 Quad XDR
 HC02 Quad NDR
 HC193 U/D Counter
 LM7805 (optional)

University of Michigan
 Ann Arbor, MI
 (313) 936-2156

Title: Quadrature Decoder

P/N: quaddcdr.dwg

Used in:

Date: 2/21/98 Rev: A